

EBAJA

OCTAVIO DURAN – BUDGET LIASON

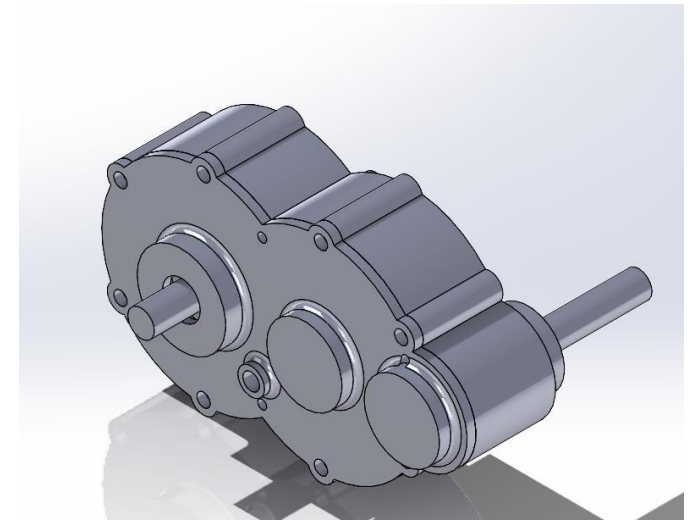
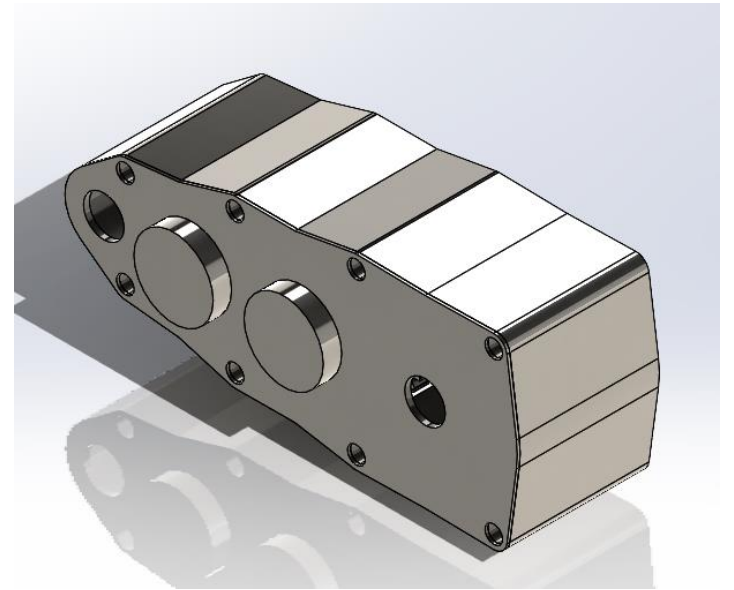
BRENDON JAMESON - CAD / MANUFACTURING ENGINEER

BENJAMIN PLIS - TEST ENGINEER

ABRIANA ROMERO - PROJECT MANAGER

JARED WALKER - LOGISTICS

DESIGN EFFORTS



PURCHASING PLAN

- BUDGET: \$3,650
- REMAINING BALANCE: \$981.45

ALREADY PURCHASED

Hex Head Screws (Front)	McMaster.com	\$7.26	Already Have	In House
Socket Cap Screws (Front)	Fastenal.com	\$5.37	Already Have	In House
Lock Nuts (Front)	Fastenal.com	\$1.98	Already Have	In House
Hex Nuts (Front)	Fastenal.com	\$0.63	Already Have	In House
Swivel Joint Bearings (Front)	Amazon.com	\$77.96	Already have	In House
O-Rings (Front & Rear)	McMaster.com	\$7.61	Already Have	In House
Flat Washers (Front)	Fastenal.com	\$1.61	Already Have	In House
Front Hubs (Front)	Lonestar Racing	\$392	Already have	In House
Master Cylinder (Front)	Summit Racing	\$176	Already have	In House
Spindles (Front)	Lonestar Racing	\$202	Already have	Assembled
Steering Box (Front)	Hyper Racing	\$375	Already have	In House
Bearing Cup (Front)	Off Road Warehouse	\$33.44	Already have	In House
Safety Harness (Frame)	Amazon	\$44.75	Already have	In Order
Liquid Rubber (Frame)	Home depot	\$29.98	Already have	In House
Firewall (Frame)	Home Depot	\$87	Already have	In Order
Battery Casing material (Drivetrain)	Mayorgas Welding	\$174.80	Already have	In Order
Rear Plate (Drivetrain)	Mayorgas Welding	\$42.57	Already have	In Order
Bearings	VXB Ball Bearings	\$11.60	Already have	In Order
Wheels (Front & Rear)	HSD Racing	\$242	Already have	In House/In Order
Disc Brakes (Rear)	Summit Racing	\$61.79	Already have	In Order
CVT Converter	GO Power Sports	\$636.02	Already have	In Order

NEED TO PURCHASE

Rear Wheel Hubs (Rear)		Buy	Will Purchase
Side Panel (Front)		Buy	Will Purchase
Brake rotors (7inch) 1018		Buy	Will Purchase
Cross bar		Buy	Will Purchase

Manufacturing Plan						
Part Name	Cost	Fabrication Status	Manufacturer	Location	Time to Manufacture	Material
Top Panel	\$50	Not Yet Started	TBD	TBD	TBD	Carbon Fiber or kevlar
Side Panel	\$100	Not Yet Started	TBD	TBD	TBD	Carbon Fiber or kevlar
Brake Mount	\$10	Not Yet Started	eBaja Team	Machine Shop	1 day	1/8" steel plate
Control Arm	\$20	In Progress	eBaja Team	Machine Shop	1 week	4340 Steel Pipe
Dashboard	\$10	In Progress	eBaja Team	Machine Shop	2 days	Plywood/Aluminum, rubber
Front Knuckle Assembly	0	In Progress	eBaja Team	Machine Shop	2 hours	Steel
Steering Wheel	\$20	In Progress	eBaja Team	Machine Shop	4 days	Steel plate
Bushings	\$0	Completed	eBaja Team	Machine Shop	2 days	Steel
High Misalignment Spacers	\$0	Completed	eBaja Team	Machine Shop	3 days	Steel
Frame	\$150	Completed	eBaja Team	Machine Shop	2 weeks	4340 Steel Pipe
Gearbox casing	\$500	Completed	eBaja Team	Machine Shop	2-3 days	6061 T6 Aluminum
Rear knuckles	\$120	Completed	eBaja Team	Machine Shop	2-3 days	6061 T6 Aluminum
Gearbox/Motor Mount	\$20	Awaiting material	eBaja Team	Machine Shop	1 day	Steel plate
Battery Casing	\$50	Awaiting material	eBaja Team	Machine Shop	2-3 days	Steel plate, rubberised chain
Firewall	\$10	Awaiting material	eBaja Team	Machine Shop	3-4 hours	Steel, Rubber
Rear Plate	\$100	Awaiting material	eBaja Team	Machine Shop	3 days	Steel Plate

MANUFACTURING PLAN



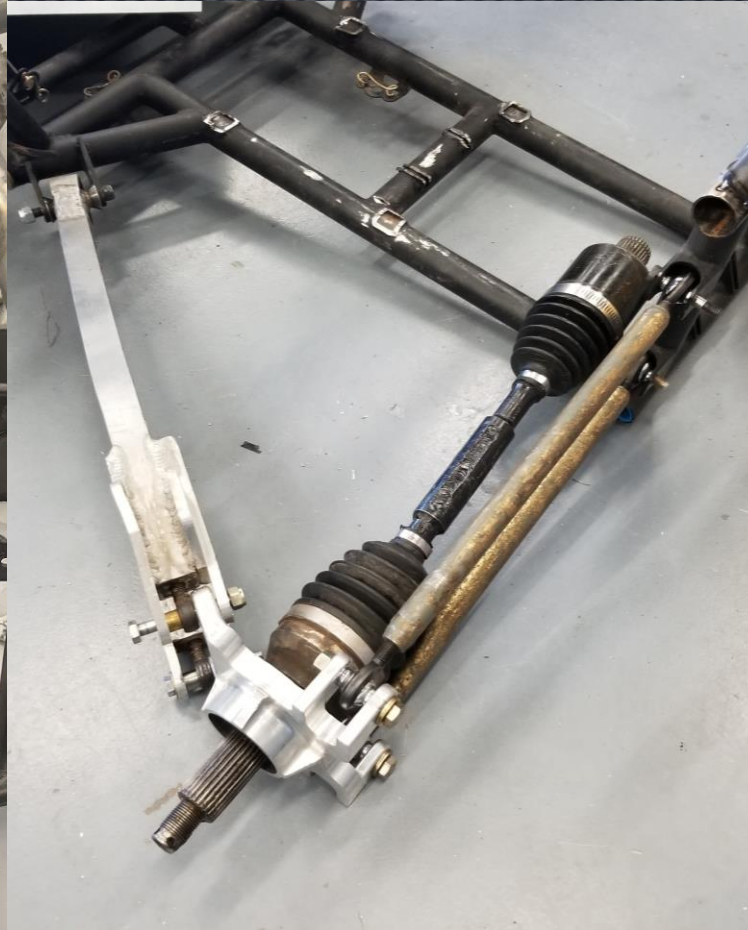
DEMONSTRATION



DEMONSTRATION

Jared Walker 21F13
03/01/22

DEMONSTRATION



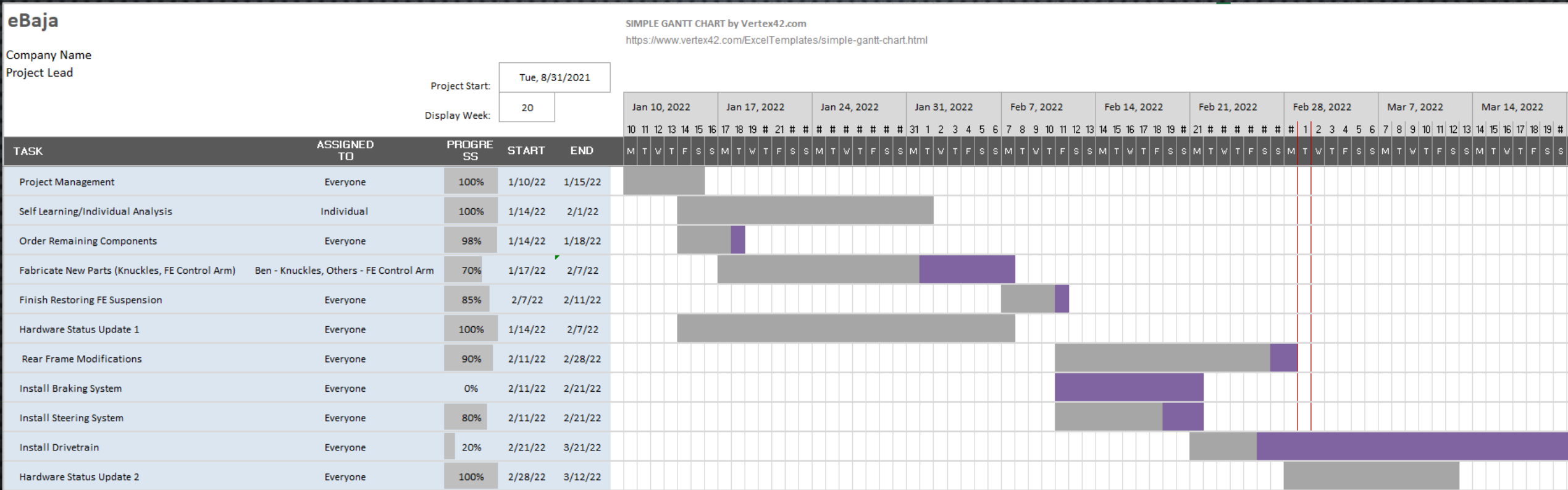
Abriana Romero 21F13
03/01/22

DEMONSTRATION - STEERING



Benjamin Plis, Jared Walker 21F13
03/01/22

GANTT CHART





QUESTIONS?